



**Renault-Opel-Vauxhall-Nissan
Tie Rod End**

Sidem Nr	OE Number
6534	48520 00QAK
6535	48520 00QAL

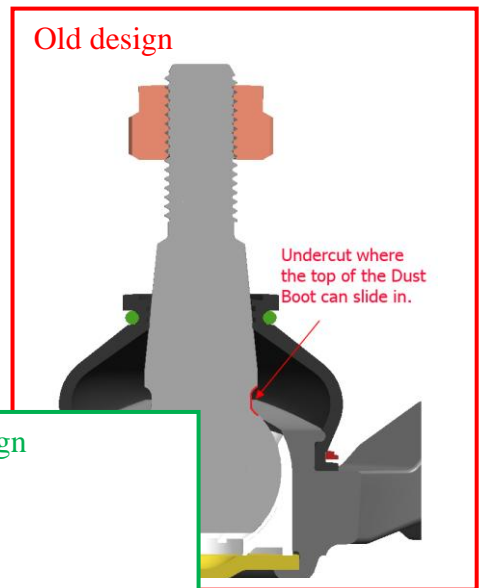
Problem:

- Possibility of shooting the top of the DC in the neck while installing the Tie Rod End

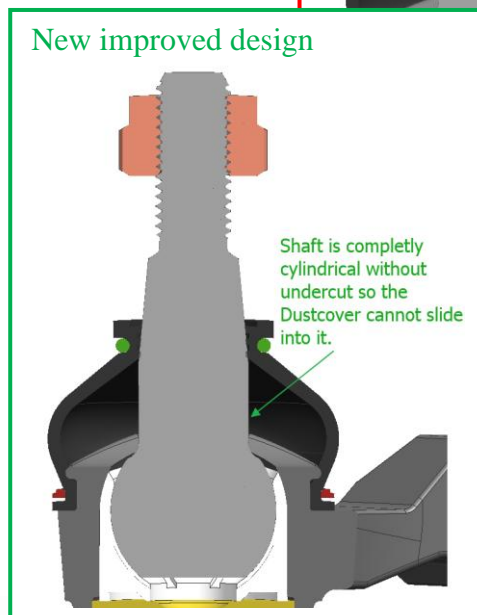
Cause:

- Neck on ballpin without mechanical seat

Old design



New improved design



Solution:

- The neck on the ballpin is removed on The ballpin, so no possibility anymore for the DC to shoot in the neck